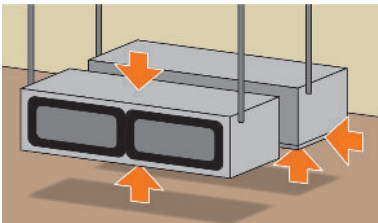
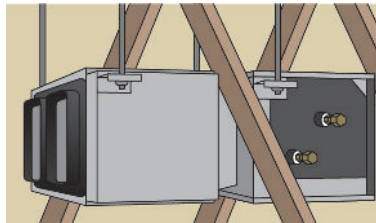


The new PEA-M HAA Ducted unit has a two-piece construction*¹. This allows separation of the indoor unit heat exchanger and fan deck assembly for easier handling and installation into the roof space.



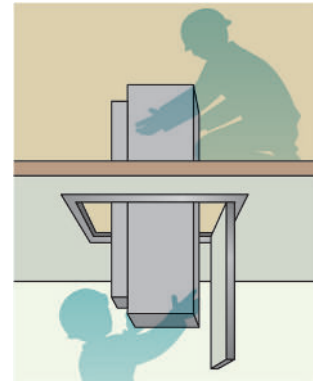
Two-way maintenance access

Two-way access to the fan deck assembly (from the top and the bottom) and to the drain pan (from the bottom and the side*²) allows for easy maintenance. Even when the unit is installed near the ceiling and inaccessible from the bottom, the unit is accessible from another side.



Ideal for remodelling of existing houses

The unit can be installed in roof trusses thanks to the two-piece structure.



Easier Installation

The fan deck section and the heat exchanger can be separately transported and assembled in the ceiling space.*³

*¹The distance between the fan deck part and the heat exchanger part cannot be extended using a duct.

*²The drain pan cannot be removed from the side.

*³Requires an access panel large enough to pass each part through.

Features

- » Two-piece structure
- » R32 refrigerant

- » Two-way maintenance access
- » High static pressure

- » Four level fan speed, Low, Mid2, Mid1 and High

SPECIFICATIONS

Model		PEA-M100HAA		PEA-M125HAA		PEA-M140HAA		
Outdoor Unit		PUZ-ZM100VKA-A	PUZ-ZM100YKA-A	PUZ-ZM125VKA-A	PUZ-ZM125YKA-A	PUZ-ZM140VKA-A	PUZ-ZM140YKA-A	
Refrigerant		R32						
Power supply (V, phase, Hz)		V:230V, Single-phase, 50Hz Y:400V, Three-phase, 50Hz						
Cooling	Capacity (Min-Rated-Max)	4.9-10.0-11.4		5.5-12.5-14.0		6.2-14.0-15.3		
	Total input (Rated)	2.65	3.11	3.5	3.5	4.19	4.19	
	AEER/EER	3.63/3.77	3.06/3.21	3.47/3.57	3.42/3.57	3.26/3.34	3.22/3.34	
	AEER (Part-load %) *1	-		4.33		-		
	Running current (Rated)	12.20	5.20	15.40	5.90	18.30	6.80	
	Sound Pressure Level	In (Lo-Mid2-Mid1-Hi) (SPL) *3	29-32-36-38		35-38-42-45			
		Out (PWL)	49(69)	50(70)	50(70)	50(70)	50(70)	50(70)
Air Volume In (Lo-Mid2-Mid1-Hi)	L/S *3	500-567-633-700		700-800-900-1000				
Heating	Capacity (Min-Rated-Max)	4.5-11.2-14.0		5.0-14.0-16.0		5.7-16.0-18.0		
	Total input (Rated)	2.71	3.12	3.4	3.4	3.97	3.97	
	ACOP/COP	3.98/4.13	3.42/3.58	3.99/4.11	3.94/4.11	3.92/4.03	3.88/4.03	
	ACOP (Part-load %) *1	-						
	Running current (Rated)	12.70	5.20	15.00	5.60	17.70	6.30	
	Sound Pressure Level	In (Lo-Mid2-Mid1-Hi) (SPL) *3	29-32-36-38		35-38-42-45			
		Out (PWL)	51(69)	52(70)	52(70)	52(70)	52(71)	52(71)
Air Volume In (Lo-Mid2-Mid1-Hi)	L/S *3	500-567-633-700		700-800-900-1000				
Max. Running Current	A	29.88	13.88	31.20	15.20	32.20	15.20	
Indoor Unit	Input (Cool Heat) (Rated)	0.187/0.187		0.477/0.477		0.477/0.477		
	Dimensions (HxWxD)	380x1405x900						
	Weight	63		66				
	Static Pressure	50/100/150						
Outdoor unit	Dimensions (HxWxD)	1338x1050x330(+40)						
	Weight	113	114	113	114	113	114	
	Breaker size	32	16	32	16	40	16	
Piping	Diameter (Gas/Liquid)	15.88 / 9.52						
	Max. Length/Height	75 / 30						
Guaranteed Operating Range (outdoor)	Cooling (°C) *2	-5(-15)-52						
	Heating (°C)	-20-21						
Supply Air Duct	mm	1325x266						
Return Air Duct	mm	2x(400Ø)						

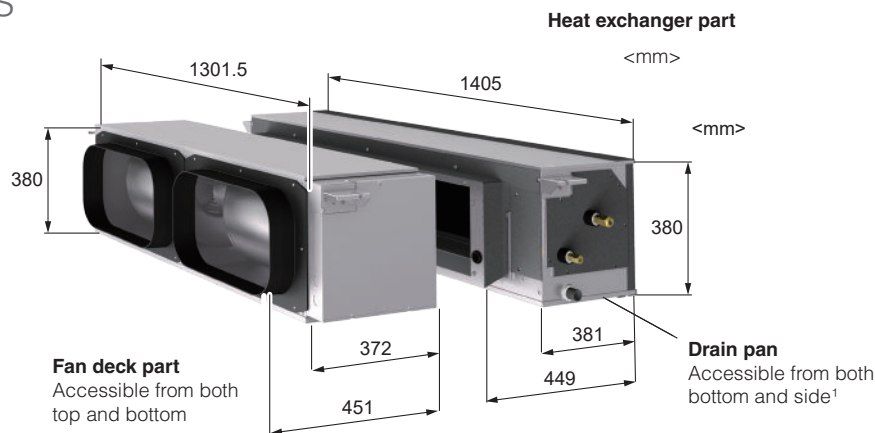
Notes:

*1 MEPS compliant at part load

*2 With the optional air protection guide, the operation at -15°C outdoor temperature is possible

*3 In case of NOT using air intake flange. With flange, please check P-Q curve on the indoor unit manual.

UNIT DIMENSIONS



¹The drain pan cannot be removed from the side.



MitsubishiElectric.com.au